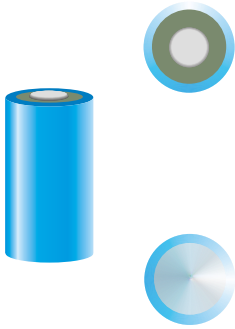
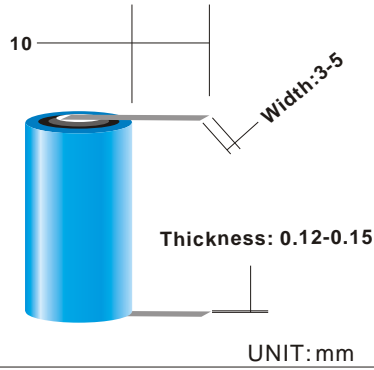


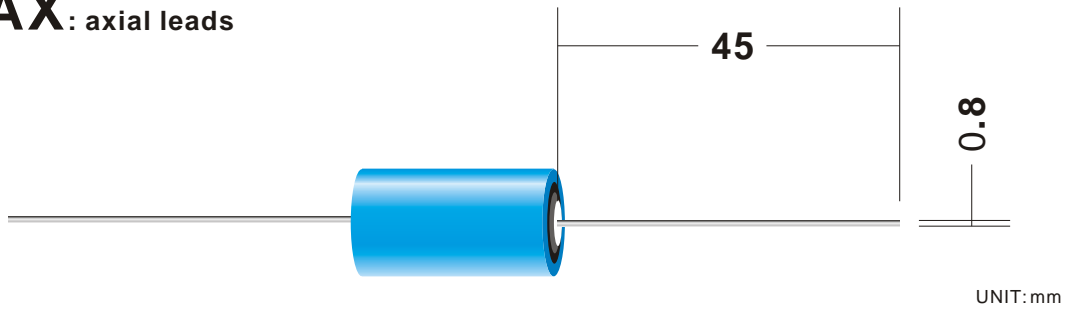
I: standard



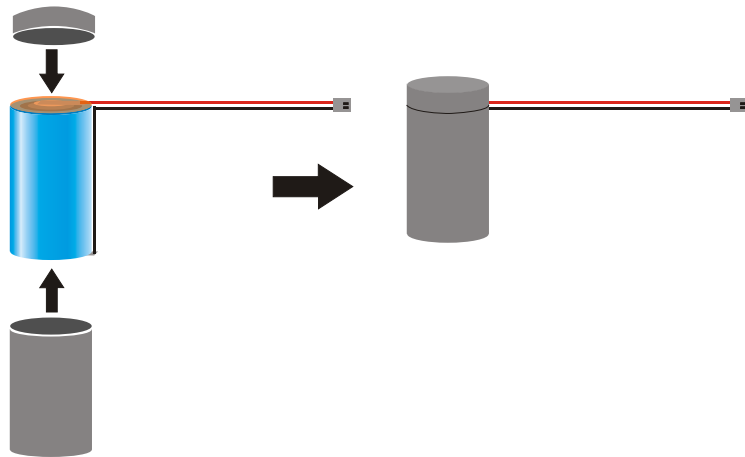
T1: nickel plated steel tags



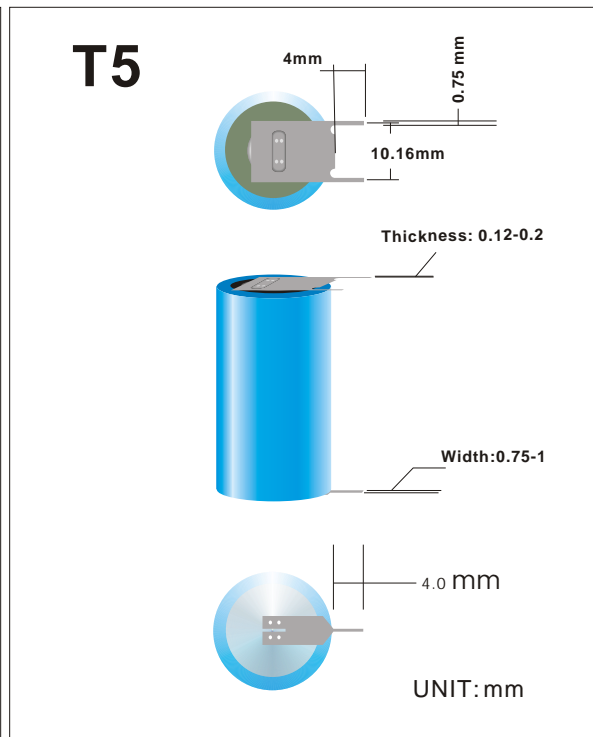
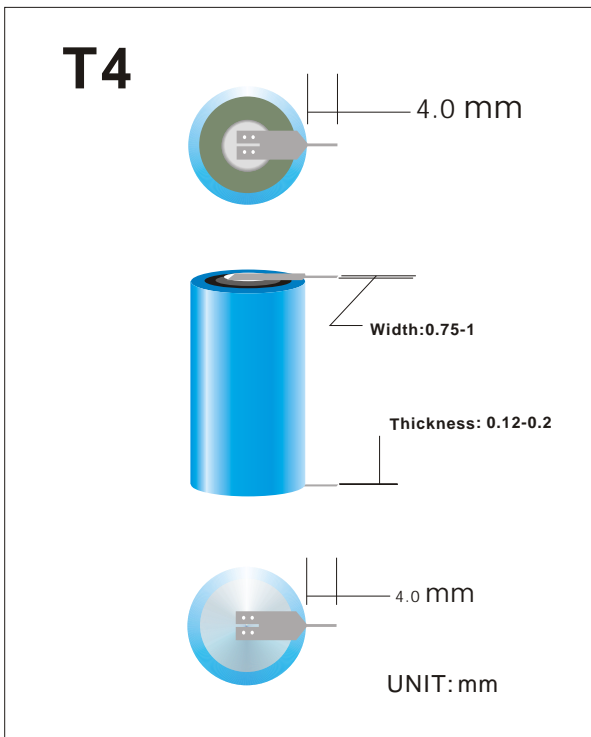
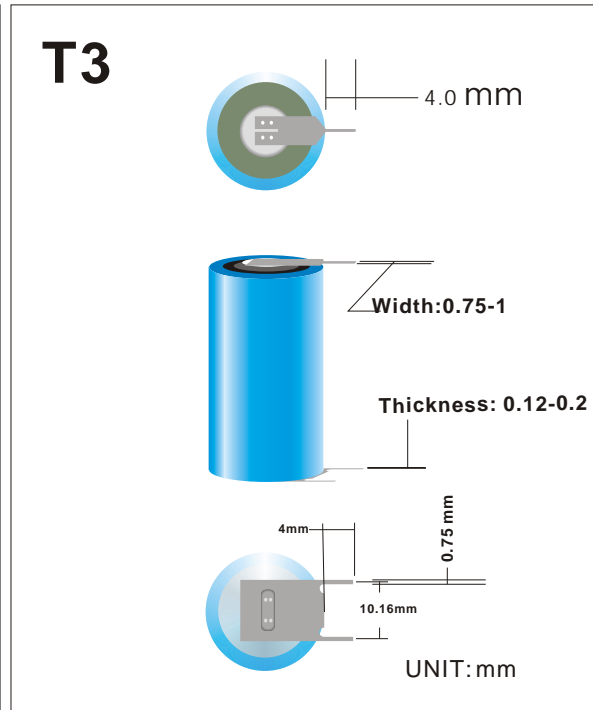
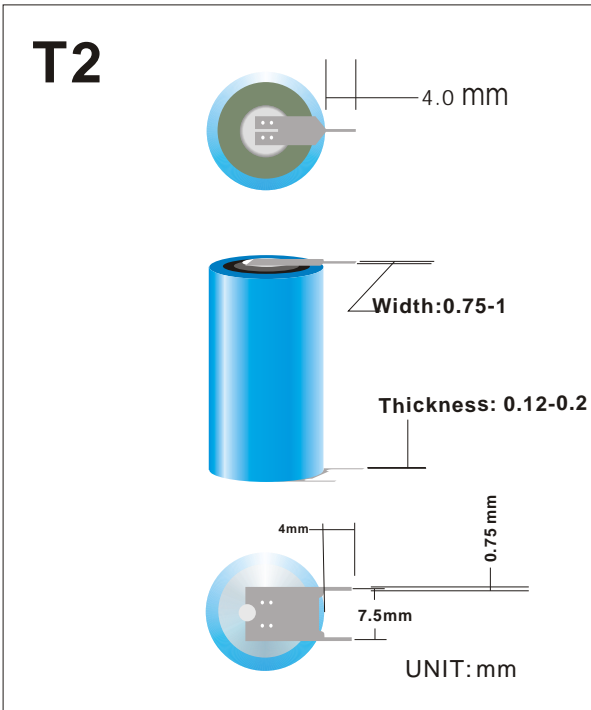
AX: axial leads



C: with connector, plastic case, lead, waterproof, (only for 1/2AA size):



● The dimension of Tags, Nickel plate, and Connectors can according to customer's design..



Connector:

