

## Primary lithium batteries ER2286S

**3.6V Primary lithium-thionyl chloride  
(Li-SOCl<sub>2</sub>) high temperature type  
bobbin cell**

For low drain / high temperature applications requesting superior voltage response in -40°C~+125°C environments.

### Cell size references

#### Alternative models

TL-4986, TL-5186, TL-2186, SL-740

#### Electrical characteristics

(typical values relative to cells stored for one year or less at +30°C max.)

Nominal capacity (at 0.5mA +20°C 2.0V cut off. The capacity restored by the cell varies according to current drain, temperature and cut off).	0.55Ah
--	--------

Open circuit voltage (at +20°C)	3.66V
---------------------------------	-------

Nominal voltage (at 0.5mA +20°C)	3.6V
----------------------------------	------

Pulse capability: Typically up to 20 mA (1 mA/0.1 second pulses, drained every 2 mn at +20°C from undischarged cells with 10 μA base current, yield voltage readings above 3.0V. The readings may vary according to the pulse characteristics, the temperature, and the cell's previous history. Fitting the cell with a capacitor may be recommended in severe conditions. Consult ABLE)

Max. Continuous current	10mA
Max. Pulse current	20mA

Storage (recommended) (for more severe conditions, consult ABLE)	+30°C max
---	-----------

Operating temperature range (Operation above ambient T may lead to reduced capacity and lower voltage readings at the beginning of pulses. Consult ABLE)	-40°C / +125°C
---	----------------

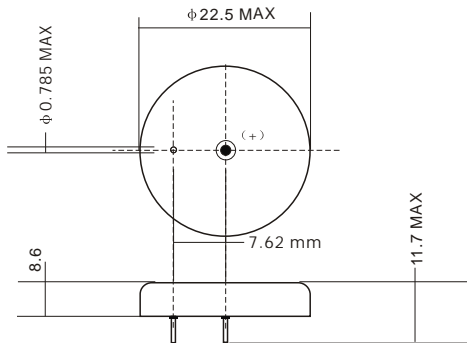
#### Physical characteristics

Diameter (max)	22.5mm(0.9 in)
----------------	----------------

Height (max)	8.6mm(0.34 in)
--------------	----------------

Typical weight	10.5g(0.187oz)
----------------	----------------

## ER2286S



Unit:mm

### Key features

- ▶ High and stable operating voltage
- ▶ Superior drain capability
- ▶ Low self-discharge rate (less than 1% after 1year of storage at +20°C)
- ▶ Optional stainless steel container for low magnetic and nickle plated steel container for more safe design
- ▶ Hermetic glass-to-metal sealing
- ▶ Notch technology for safety vent is recommended
- ▶ Non-flammable electrolyte

### Main applications

- ▶ Radiocommunication and other military applications
- ▶ Alarms and security systems
- ▶ Beacons and emergency location transmitters
- ▶ GPS
- ▶ Metering systems
- ▶ Sonobuoys
- ▶ LED lighting applications
- ▶ Others

### Storage

The storage area should be clean, cool (not exceeding +30°C), dry and ventilated.

### Warning

- ▶ Do not use if the battery casing was mangled.
- ▶ Please discharge the battery few minutes with 100mA, if the battery voltage is lower than your need or consult ABLE.
- ▶ Don't use different models of battery in series.
- ▶ Soldering the tag should be finished in few seconds.
- ▶ Do not try to recharge.

### Characteristic curves

